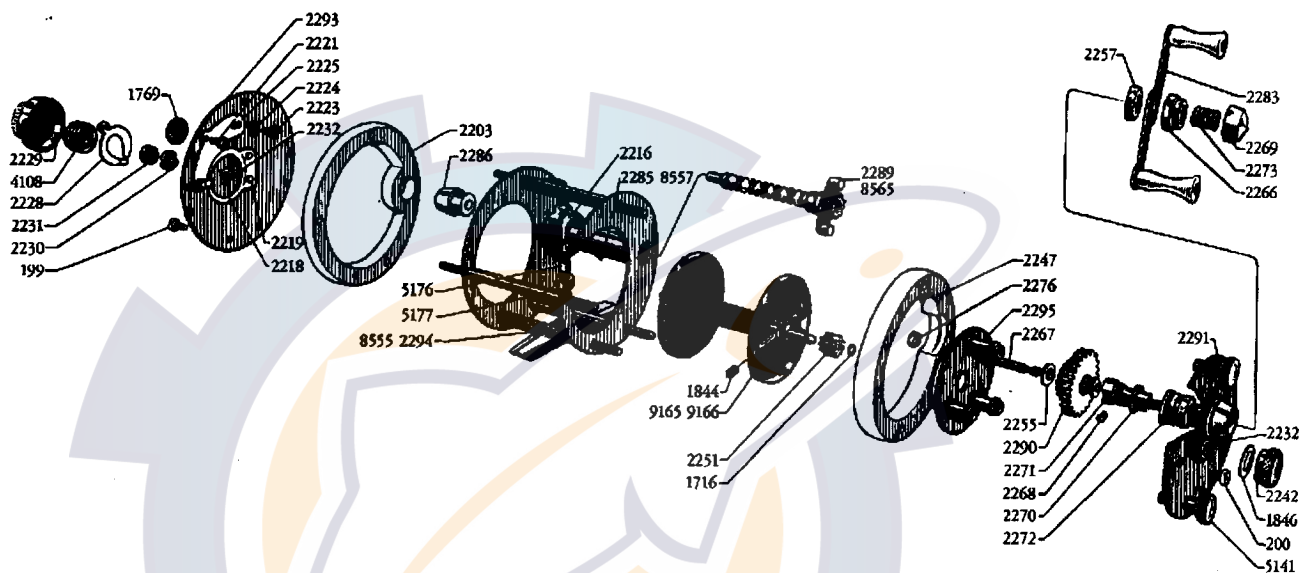


Garcia

AMBASSADEUR 2600-2650



No.	Part Name	Price	No.	Part Name	Price	No.	Part Name	Price
199	Pillar screw	.10	2231	Stress cushion	.05	2286	Left carriage screw bearing	.45
200	Bridge screw	.10	2232	Spool shaft bearing	.25	2289	Carriage screw (2600)	2.50
1716	Pinion "C" lock	.05	2242	Right spool cap	1.00	2290	Main gear	1.75
1769	Click button	.10	2247	Head ring	1.25	2291	Right housing plate	3.25
1844A	Brake block—small	.05	2251	Right pinion	.50	2293	Left housing plate, complete	5.00
1844B	Brake block—medium	.05	2255	Axle bearing	.05	2294	Frame with #2216 & #2285 (2600)	6.00
1844C	Brake block—large	.05	2257	Lock ring	.05	2295	Brake plate with #2267 & #2276	1.00
1846	Spacer	.10	2266	Handle nut	.40	4108	Anti-backlash spring	.10
2203	Tail ring	1.25	2267	Main gear shaft	.20	5141	Housing plate anchor screw	.25
2216	Line carriage	2.25	2268	Socket locking pin	.05	5176	Carriage pawl	.75
2218	Click spring	.20	2269	Release button	.30	5177	Line carriage nut	.25
2219	Click spring rivet	.05	2270	Locking pin clip	.05	8555	Frame with #2216 & #8557 (2650)	6.00
2221	Click button rivet	.05	2271	Socket	.20	8557	Carriage screw guard (2650)	1.50
2223	Click arm rivet	.05	2272	Handle bearing	1.00	8565	Carriage screw (2650)	2.50
2224	Collar plate	.05	2273	Socket Spring	.05	9165	Spool and pinion with container (2600)	4.05
2225	Click arm with rivet & click tongue	.50	2276	Gear shaft nut	.05	9166	Spool and pinion with container (2650)	4.05
2228	Brake pointer	.10	2283	Handle, complete	1.75			
2229	Left spool cap with #2228 and #4108	1.50	2285	Carriage screw guard (2600)	1.50			
2230	Brake washer	.05						